

# SPOT 120

Elegant designed fixture offers consistent and high quality light output, Compact dimension enable installation at limit space, Various beam angles offer from extremely narrow to wide or oval beam. Good Thermal management benefits long life time.



## SPECIFICATION

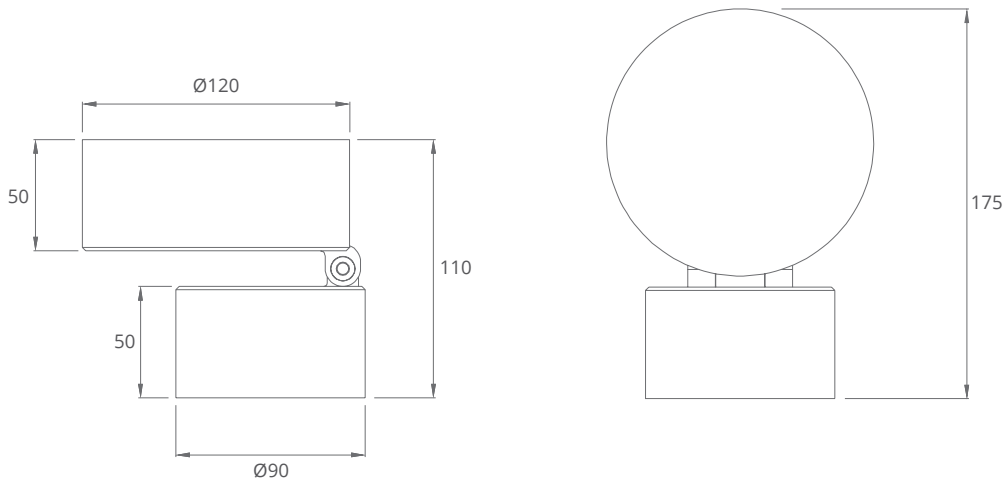
<b>MODEL</b>	LAND WAVE SPOT 120
<b>OPERATING VOLTAGE</b>	24V DC, 48V DC, AC 100-240V
<b>POWER CONSUMPTION</b>	18W MAX
<b>LED TYPE</b>	High Power LED
<b>COLOUR TEMP OPTION</b>	2700K, 3000K, 4000K, 5000K Tunable White, RGB, RGBW
<b>CRI</b>	90min, 80min
<b>PRODUCT EFFICIENCY</b>	72lm/W@3000K
<b>FULL WIDTH AT HALF MAXIMUM (OPTICS)</b>	4°,10°, 25°,40°, 8°*15°, 8°*30°, 8°*60°
<b>MATERIAL</b>	Aluminum + Tempered Glass
<b>AMBIENT OPERATING TEMPERATURE</b>	-20°C ~ +55°C
<b>LUMEN MAINTENANCE</b>	50,000 hours/L70 at 25°C
<b>DIMENSIONS</b>	Ø120*100(H)mm
<b>CABLE LENGTH</b>	1000mm
<b>CONTROL SYSTEM</b>	ON/OFF, DMX/RDM, 0-10V Dim
<b>MOUNTING TYPE</b>	Surface
<b>IP RATING</b>	IP66

## FEATURES & OPTIONS

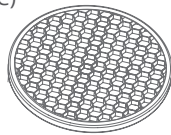


- |                |                   |
|----------------|-------------------|
| 01. CW         | 10. RAL9005       |
| 02. NW         | 11. IP66          |
| 03. WW         | 12. ANTI-SALINE   |
| 04. DW         | 13. POLAR         |
| 05. RGB        | 14. DMX           |
| 06. RGBW       | 15. RFU           |
| 07. RAL9003    | 16. RDM           |
| 08. GRMEN GREY | 17. DALI          |
| 09. RAL7016    | 18. WIRELESS DATA |

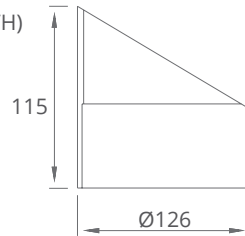
**DIMENSIONS**



Honey Comb (HC)



Top Hat (TH)



\*all units are in mm

**OPTIC SELECTION**



4°

LED	Lumens	Watts	Efficacy
WHITE	1275.08	25.00	51.01

CenterBeamLux	Illuminance at Distance
7653.72 lx	05.0 m
1913.43 lx	10.0 m
850.41 lx	15.0 m
478.36 lx	20.0 m
306.15 lx	25.0 m
212.60 lx	30.0 m

▪ Ver. Spread: 4.1°    ▪ Horiz. Spread: 4.0°

**3000K**



10°

LED	Lumens	Watts	Efficacy
WHITE	1502.70	25.00	60.10

CenterBeamLux	Illuminance at Distance
1098.86 lx	05.0 m
274.71 lx	10.0 m
122.10 lx	15.0 m
68.68 lx	20.0 m
43.95 lx	25.0 m
30.52 lx	30.0 m

▪ Ver. Spread: 11.5°    ▪ Horiz. Spread: 11.6°